

FANUC

Precise and powerful compact handling



**FULLY INTEGRATED
CABLE MANAGEMENT**
to eliminate interference



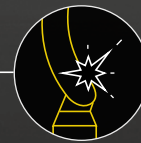
SLIM AND CURVED J2 ARM
to minimise interference



**LARGE
HOLLOW WRIST**
and hollow reducer



35 KG PAYLOAD



SMOOTH SURFACES
to minimise dust
and dirt collection

NEW
M-20iD/35

High performance in a small footprint

- slim lightweight design for more throughput
- compact arm and wrist for maximum access
- ideal for crowded production environments
- smooth finish deters dirt and is easy to clean
- easy to install, plus internal cable routing prevents snagging
- Zero Down Time software for intelligent maintenance prediction and scheduling

M-20iD/35 (Hollow wrist)

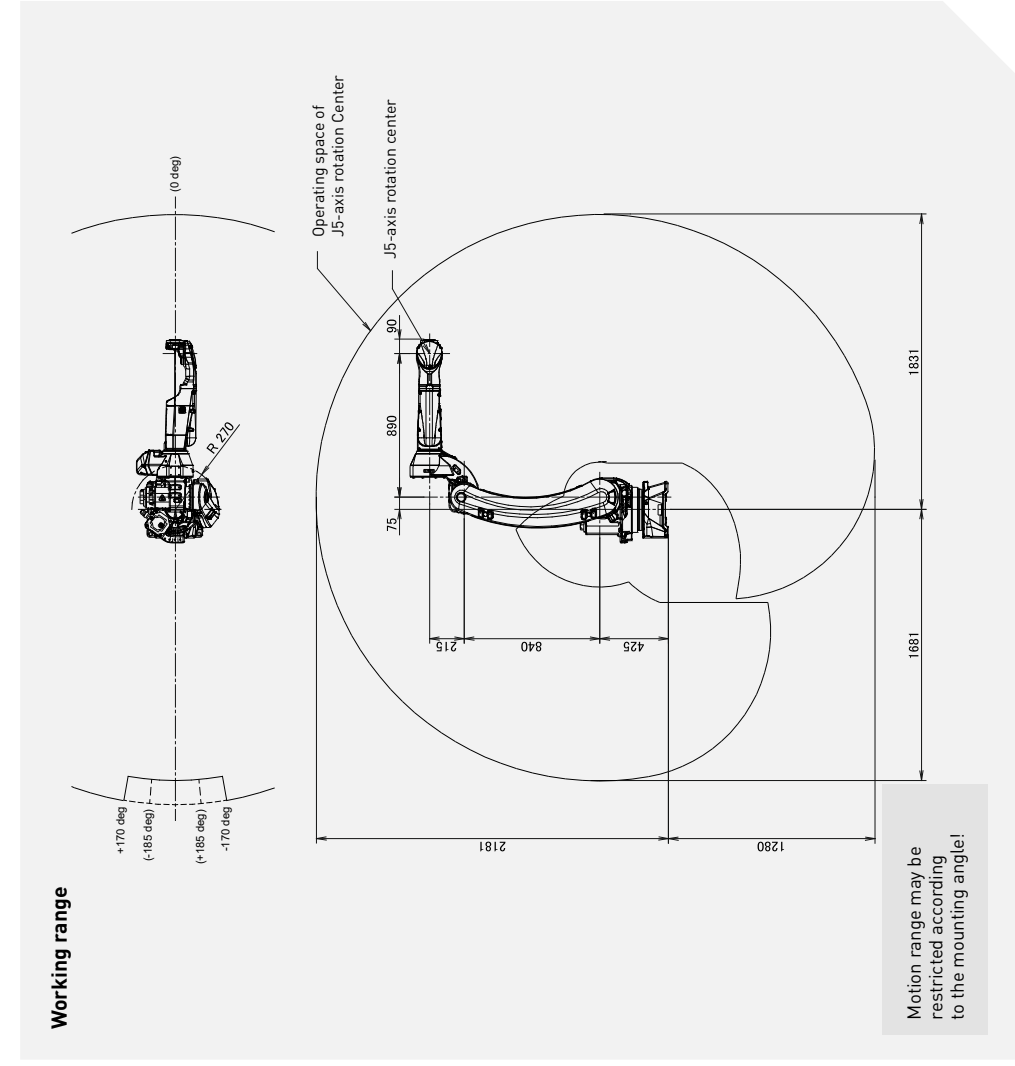
Max. load capacity at wrist: **35 kg**



Max. reach: **1831 mm**



Controlled axes	Repeatability (mm)	Mechanical weight (kg)	Motion range [°]						Maximum speed [°/s]						J4 Moment/Inertia (Nm/kgm ²)	J5 Moment/Inertia (Nm/kgm ²)	J6 Moment/Inertia (Nm/kgm ²)		
			J1	J2	J3	J4	J5	J6	J1	J2	J3	J4	J5	J6				E1	
6	±0.03*	250	340 (370)	260	458	400	280 (360)	540 (900)	-	180	180	200	350	350	400	-	110.0/4.0	110.0/4.0	60.0/1.5



Robot

- Robot footprint [mm] **M-20iD/35**
343 x 343
- Mounting position Floor ●
- Mounting position Upside down ●
- Mounting position Angle ●

Controller

- Open air cabinet **R-30iB Plus**
- Mate cabinet -
- A-cabinet ○
- B-cabinet ●
- iPendant Touch ○

Electrical connections

- Voltage 50/60Hz 3phase [V] 380-575
- Voltage 50/60Hz 1phase [V] -
- Average power consumption [kW] 1

Integrated services

- Integrated signals on upper arm In/Out 8/8
- Integrated air supply 1

Environment

- Acoustic noise level [dB] < 70
- Ambient temperature [° C] 0-45

Protection

- Body standard/optional IP54/IP65
- Wrist & J3 arm standard/optional IP67

● standard ○ on request - not available () with hardware and/or software option *Based on ISO9283